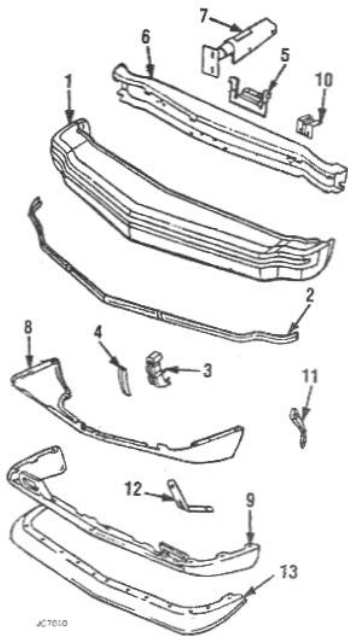


Information in the "GUIDE TO ESTIMATING" pages must be used with the text below to prepare a complete estimate.

FRONT BUMPER

JE2JC77



FRONT BUMPER

Assembly, R&I		0.5			
Overhaul		1.6			
1 Fascia	(p1.5)	503.53 #	1.6	D6ZZ17757A	
2 Moulding	74-75	49.22		D4ZZ17B970B	
	75-79	32.25 >		D7Z17C829B	
3 Guard	74-75 RT	D 30.37 †	0.3	D4ZZ17996C	
	74-75 LT	D 30.37 †	0.3	D4ZZ17997C	
	76-78 RT	D 28.91 †	0.3	D6ZZ17996A	
	76-78 LT	D 30.37 †	0.3	D6ZZ17997A	
4 Moulding	steel	74-75	D 7.17	D4ZZ17D838A	
	plastic	74-75	D 7.17	D4ZZ17D838B	
	pad	76-78	5.37	D6ZZ17A812A	
5 License plate bracket		13.95		D4ZZ17A395A	
6 Reinforcement		D 80.17		D6ZZ17A792A	
7 Absorber	RT	D 79.07 §	0.3	D5ZZ17754A	
	LT	D 79.07 §	0.3	D5ZZ17755A	
Valance panel	w/o Cobra	(p1.2) 74	59.22 §	0.5	D4ZZ17626V
	w/Cobra	(p1.2) 75-78	59.22 §	0.5	D5ZZ17626A
	w/Cobra	(p1.2) 75-78	57.25		D7ZZ17626A
	support		D 2.72		D4ZZ17747A
10 Bracket	74	RT	D 1.70	D4ZZ17C787A	
	74	LT	D 1.70	D4ZZ17C787B	
11 Reinforcement	74	RT	D 1.65	D4ZZ17C861A	
	74	LT	D 1.65	D4ZZ17C861B	
	75-78		D 2.34	D5ZZ17C861A	
	76-78		134.68	D7Z269001A06A	

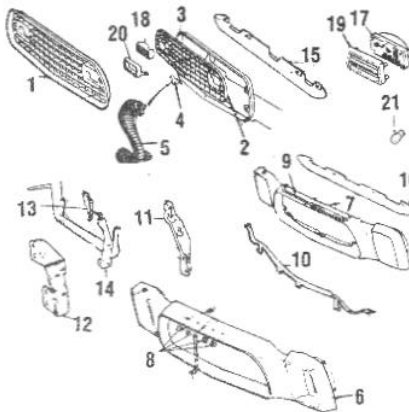
FRAME

Crossmember	suspension mount	D200.93 #	5.0	D5ZZ26910010A		
Side rails	front, outer	(p.6)	RT	D 78.30 §	3.5	D6ZZ26910216A
		(p.6)	LT	D 78.30 §	3.5	D6ZZ26910219A
	inner	(p.6) 74	RT	D 39.35 †	1.5	D4ZZ26910008A
		(p.6) 74	LT	D 39.35 †	1.5	D4ZZ26910009A
		(p.6) 75-78	RT	D 59.55 †	1.5	D6ZZ26910008A
		(p.6) 75-78	LT	D 59.55 †	1.5	D6ZZ26910009A

extension	74	RT	D 15.45	D4ZZ269101A22A		
	74	LT	D 15.45	D4ZZ269101A23A		
	75-78	RT	D 23.40	D5ZZ269101A22A		
	75-78	LT	D 23.40	D5ZZ269101A23A		
floor side	to 6/1/76	(p.5) 74-76	RT	D 29.05 †	2.5	D4ZZ26910116A
		(p.5) 74-76	LT	D 29.05 †	2.5	D4ZZ26910117A
	from 6/1/76	(p.5) 76-78	RT	D 36.90 †	2.5	D7ZZ26910116A
		(p.5) 76-78	LT	D 36.90 †	2.5	D7ZZ26910117A

After knees are removed.
§ After skirt is removed.
† After outer member is removed.
‡ After rocker is removed.

GRILLE & LAMPS



1 Grille	74	D 49.55	0.8	D4ZZ28200A	
2	75-78	52.03	0.8	D6ZZ28200A	
Moulding					
upper	74	D 8.98 §	0.2	D4ZZ28419A	
lower	74	D 8.98 §	0.2	D4ZZ28419B	
	75-78	44.38 §	0.2	D5ZZ28419A	
3 Ornament	74	D 7.73		D4ZZ28213A	
	75-78	6.73		D5ZZ28213A	
4 w/o Cobra	75-78	14.83		D7ZZ28213A	
5 w/Cobra	75-78	14.83		D7ZZ28213A	
6 Grille panel 1.8	74	222.67 #	2.0	D4ZZ28190A	
	1.8	75-78	222.67 #	2.0	D5ZZ28190A
8 Letters					
F		3.02	0.2	D3AZ16606E	
O		3.02	0.2	D3AZ16606F	
R		3.02	0.2	D3AZ16606G	
D		3.02	0.2	D3AZ16606H	
9 Stripe tape, black		D 4.20 †	0.5	D5ZZ26C077B	
10 Shield, headlamp opng	74	D 8.21		D4ZZ13B041A	
11 Support					
center	74	D 4.53	0.3	D4ZZ28182B	
12 side	74	RT	D 5.20	0.3	D4ZZ28182A
	74	LT	D 5.20	0.3	D4ZZ28183A
	75-79		D 6.92	0.3	D5ZZ28261A
13 center	75-78	RT	D 6.05	0.3	D5ZZ28182A
	75-78	LT	D 6.36	0.3	D5ZZ28183A
14 side	74		D 6.45		D4ZZ28349A
	75-78		13.23		D6ZZ28349A
15 Seal lower	74		D 6.45		D4ZZ28349A
	75-78		13.23		D6ZZ28349A

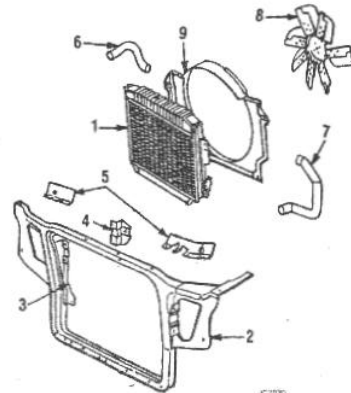
PARKING LAMP

17 Assembly	74	RT	D 21.33	0.3	D4ZZ13200A
	74	LT	D 21.33	0.3	D4ZZ13201A
18 amber lens	75-76	RT	D 19.58	0.3	D5ZZ13200A
	75-76	LT	D 19.58	0.3	D5ZZ13201A
	77-78	RT	24.10	0.3	D8ZZ13200A
	77-78	LT	24.10	0.3	D8ZZ13201A
clear lens	76	RT	D 29.77	0.3	D6ZZ13200A
	76	LT	D 29.77	0.3	D6ZZ13201A
19 Door	74	RT	D 15.26		D4ZZ13210A
	74	LT	D 15.26		D4ZZ13212A
	75-76	RT	D 15.26		D6ZZ13210A
	75-76	LT	D 15.26		D6ZZ13212A
w/o two tone	77-78	RT	D 14.44		D7ZZ13210A
	77-78	LT	D 14.44		D7ZZ13212A
w/two tone	77-78	RT	D 14.44		D7ZZ13210B
	77-78	LT	D 14.44		D7ZZ13212B
Gasket			D 1.40		D5ZZ13211A

21 Bulb, clear	3.11	C9MY13466A
amber	.77	C8TZ13466A

After grille & headlamp are removed.
§ After grille is removed.
† For other colors, call dealer.

COOLING



RADIATOR

1 Radiator				
4 cylinder				
w/o AC	D200.99	1.0		D4ZZ28005B
w/AC	D188.95	1.2		D5ZZ28005A
6 cylinder				
w/o auto trans & AC	185.60	1.0		D4ZZ28005A
w/auto tran	D244.95	1.2		D4ZZ28005D
w/air cond	D301.86	1.2		D5ZZ28005C
8 cylinder				
to 1/14/77	74-77	D276.85	1.2	D7ZZ28005B
from 1/15/77	77-78	D329.75	1.2	D8ZZ28005A
Reservoir				
6 cylinder	D 24.76	0.4		D7ZZ28A080A
8 cylinder	D 26.00	0.4		D7ZZ28A080C
2 Support assembly				
(p1.0) 74	D 70.52 #	3.5		D4ZZ16138A
(p1.0) 75-78	74.90 #	3.5		D5ZZ16138A
3 Bracket				
lower	75-78	RT	D 3.93	D5ZZ28052A
	75-78	LT	D 3.93	D5ZZ28052B
4 upper				
RT	D 2.10			D5ZZ28A193A
LT	D 2.10			D5ZZ28A193B
5 Air deflector				
upper				
4 cylinder	D 10.21			D6ZZ28326C
8 cylinder	D 10.21			D6ZZ28326C
to 3/1/76	76	RT	D 2.45	D6ZZ28326A
	76	LT	D 2.45	D6ZZ28326B
from 3/2/76	76-78	RT	D 3.10	D6ZZ28326D
	76-78	LT	D 3.10	D6ZZ28326E
6 Hose				
upper				
4 cylinder	74-76	11.23 §	0.4	D8ZZ28260A
	10.10 §	0.4		E0FZ28260A
6 cylinder	77-78	10.63 §	0.5	D4ZZ28260A
8 cylinder				
16"	11.25 §	0.5		D5ZZ28260A
6-1/2"	8.25 §	0.5		D5ZZ28260B
19-1/2"	14.53 §	0.5		D7ZZ28260B
7 lower				
4 cylinder				
w/o AC	14.47 §	0.5		D4ZZ28286A
w/AC	14.66 §	0.5		E1BZ28286A
6 cylinder				
w/o AC	7.77 §	0.6		D2PZ28260B
w/AC	7.43 §	0.6		D2PZ28260B
8 cylinder	12.05 §	0.6		D5ZZ28286A

FAN

8 Blade				
4 blade	40.98 §	0.6		D4ZZ28600A

CONTINUED

Refinish times are for new undamaged OEM parts without molding, trim or attached parts. Refinish times do not include grinding, filling, smoothing welded seams and blending into adjacent panels.

1978-74 MUSTANG II

Information in the "GUIDE TO ESTIMATING" pages must be used with the text below to prepare a complete estimate.

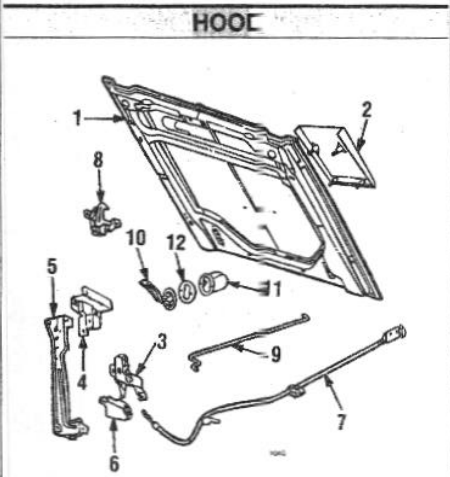
COOLLINE (CONT)			
5 blade	42.63	0.6	D8BZ8600E
7 blade			
w/o AC			
to 11/17/75	74-75	D 61.66	0.6 D5ZZ8600A
w/AC	74-75	D 61.38	0.6 C4OZ8600D
from 11/18/75	75-78	59.12	0.6 D6BZ8600B
Pulley			
4 cylinder		49.42	E3ZZ8509A
6 cylinder			
w/o AC		31.43	D4ZZ8509A
w/AC		31.43	D5FZ8509A
8 cylinder			
w/o AC	74-75	D 20.65	D5ZZ8509B
	76-78	31.43	D6ZZ8509B
w/AC	74-75	D 29.30	D5ZZ8509A
	76-78	31.43	D6ZZ8509A
Idler pulley			
fixed		D 58.60	D4FZ8678A
adjustable		29.45	D8BZ8678A
Clutch, V8		D 76.09	0.7 D5ZZ8A616A
9 Shroud			
4 cylinder			
w/o AC		45.52	0.5 D4ZZ8146C
w/AC		D 43.35	0.5 D4ZZ8146B
6 cylinder			
standard trans		45.52	0.5 D4ZZ8146C
automatic trans		45.52	0.5 D4ZZ8146A
w/AC		45.52	0.5 D5ZZ8146B
8 cylinder			
to 11/1/76	74-76	45.52	0.5 D5ZZ8146A
from 11/2/76	76-78	45.52	0.5 D7ZZ8146A

BELT'S			
Order by description			
WATERPUMP			
Pump			
4 cylinder	60.22	1.3	D8FZ8501A
6 cylinder	56.22	1.5	D8ZZ8501A
8 cylinder			
to 3/1/76	74-76	D 86.25	1.5 D5ZZ8501A
from 3/2/76	76-78	74.48	1.5 D6ZZ8501B

After bumper, grille panel & one fender are removed.
 § Time listed is for item without removal of any adjacent parts. If item is made accessibly by other work being performed, adjust time accordingly. If any of the work is to be sublet, check with sublet shop for local rates.

AIR CONDITIONER & HEATER			
AIR CONDITIONER (FACTORY TYPE)			
With any operation requiring a refrigerant line disconnect, add 1.4 to evacuate, recharge and test for leaks. Add for freon.			
Condenser			
4 cylinder	344.94	1.0	D6ZZ19712A
8 cylinder	308.15	1.0	D5ZZ19712B
Receiver-dehydrator			
4 cylinder	D 58.72	0.4	D4ZZ19959A
8 cylinder	D 50.34	0.4	D5ZZ19959A
Compressor	291.86	1.2	D4FZ19703B
pulley & clutch			
4 cylinder			
Federal	74	D114.60	0.5 D4ZZ2884B
California	74	D225.50	0.5 D4ZZ2884C
to 11/3/75	75-77	D225.50	0.5 D4ZZ2884C
from 11/4/75	75-78	154.51	0.5 D6FZ2884A
6 cylinder	D144.22	0.5	D4ZZ2884A
8 cylinder	D158.02	0.5	D5ZZ2884A
mounting bracket			
4 cylinder	95.37		D4ZZ2882B
6 cylinder	D 57.91		D4ZZ2882A
8 cylinder	55.38		E0SZ2882A
Evaporator coil	74-76	177.75	D4FZ19860A
	77-78	161.32	D7FZ19860A
Valve, expansion	74-75	53.42	0.7 D4FZ19849A
	76	D 50.40	0.7 D6FZ19849A
	77-78	87.92	0.7 E5HZ19D735A
low pressure		20.77	DOAZ19752A
high pressure		18.14	DOAZ19A90A
Blower motor		89.88	1.0 D7ZZ19805A

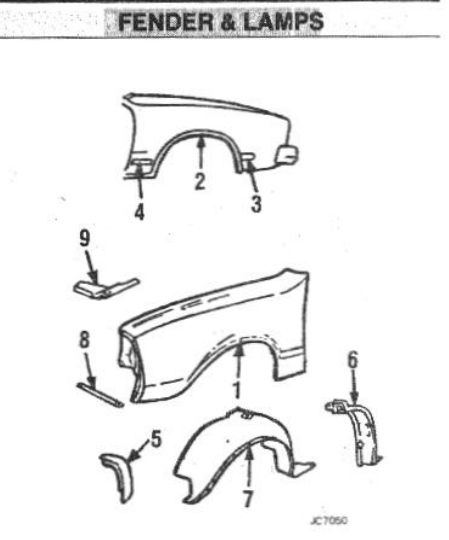
HEATER			
Core			
w/o AC		45.00	E3FZ18476B
w/AC		57.34	E3FZ18476A
Case			
front			
to 6/1/77	74-77	78.60	D4FZ18A542A
from 6/2/77	77-78	95.15	D7FZ18A542A
rear			
to 6/1/77	74-77	82.13	D2FZ18A543A
from 6/2/77	77-78	57.20	D2FZ18A542A
Blower motor		67.20	E2FZ18527A
fan		20.57	D1FZ18504A



REFINISHING NOTES			
Deduct for overlap when necessary. See GUIDE to ESTIMATING pages			
Add for underside			0.6
Add for clear coat if required.			
hood			1.3

PARTS & LABOR			
Assembly, R&I			0.5
1 Hood panel	(p2.5) 74	33.78	1.0 D4ZZ16612A
	(p2.5) 75-78	60.20	1.0 D5ZZ16612A
Insulator	74	14.18	0.3 D4ZZ16738A
	75-78	26.25	0.3 D5ZZ16738A
	76-78	86.60	0.4 D7ZZ16C630A
2 Scoop			
Letters			
F		3.02	0.2 D3AZ16606E
O		3.02	D3AZ16606F
R		3.02	D3AZ16606G
D		3.02	D3AZ16606H
Stripe tape, see last page			
Ornament		21.82	D5ZZ16850A
Pad, on cowl		6.35	D4ZZ16740A
3 Lock		18.55	0.3 E1TZ16700A
4 support	74	6.35	D4ZZ16707B
	75-78	7.63	D5ZZ16707A
		7.12	D4ZZ16747A
5 brace, vertical		7.12	D4ZZ16B968A
6 retainer plate		2.03	
7 handle & cable			
w/o locking		8.15	0.5 D5ZZ16916A
w/locking		29.20	0.5 D5ZZ16914A
8 Safety catch			
cyl & keys		8.93	D3AZ16978B
	74	7.05	0.2 D4ZZ16892A
	75-78	8.88	0.2 D5ZZ16892A
9 Support rod	74	2.70	D4ZZ16826A
	75-78	3.96	D5ZZ16826B
10 Hinge	(p.2)	5.32	0.2 D5FZ16796A
11 housing	(p.2)	4.12	D1FZ16C764A
12 retainer		0.68	D1FZ16C766A

With stripe tape, add .8.
 † After hood is removed.



REFINISHING NOTES			
Deduct for overlap when necessary. See GUIDE to ESTIMATING pages			
Add for edging			0.5
Add for clear coat if required.			
fender			1.3

PARTS & LABOR			
Assembly, R&I			1.5
1 Fender	(p2.5) RT	179.92	2.2 D7ZZ16005A
	(p2.5) LT	179.92	2.2 D7ZZ16006A
Mouldings			
2 wheel opening	(d.2) RT	18.72	0.2 D5ZZ16038A
	(d.2) LT	18.72	0.2 D5ZZ16039A
side w/o inserts			
3 front	(d.2) RT	D 4.25	0.2 D4ZZ16C068A
	(d.2) LT	D 4.25	0.2 D4ZZ16C069A
4 rear	(d.2) RT	D 6.78	0.3 D4ZZ16A038B
	(d.2) LT	D 6.78	0.3 D4ZZ16A039B
side w/inserts			
front, blue	(d.3) RT	D 65.28	0.4 D4ZZ16C068AA
	(d.3) LT	55.99	0.4 D4ZZ16C069AA
rear, black	(d.3) RT	D 30.83	0.6 D5ZZ16A038AA
	(d.3) LT	26.47	0.6 D5ZZ16A039AA
Name plate, Mustang		9.43	0.2 D5ZZ16098A
Ornament, Pony & II	RT	8.73	0.2 D5ZZ16228B
	LT	D 8.32	0.2 D5ZZ16229A
V8		6.22	0.2 D5ZZ16228A
Decal, Mach 1		6.72	0.3 D4ZZ16098C
MPG			
to 3/14/76		2.07	0.3 D5ZZ16098B
from 3/15/76	76-78	D 2.19	0.3 D6ZZ16098C
HorseHead			
orange		D 9.32	0.2 D6ZZ16098A
red		D 9.32	0.2 D6ZZ16098B
Cobra			
white	76	D 36.74	0.3 D6ZZ16228AW
blue	77	D 34.65	0.3 D7ZZ16228AB
Skirt assembly	(p1.0) RT	D 82.57	4.0 D5ZZ16054A
	(p1.0) LT	D 82.57	4.0 D5ZZ16055A
Splash shield			
2 piece			
to 7/1/77			
5 front	74-77	D 2.85	D4ZZ16102A
6 rear	74-77 RT	D 12.78	D4ZZ16102C
	74-77 LT	D 12.78	D4ZZ16103C
1 piece			
from 7/2/77	77-78 RT	16.57	D7ZZ16102A
	77-78 LT	16.57	D7ZZ16103A
8 Brace, front		D 5.57	D7FZ16A023A
9 Gusset			
to radiator support	74 RT	D 3.45	D4ZZ16B198A
	74 LT	D 3.45	D4ZZ16B199A

CONTINUED

1978-74 MUSTANG II

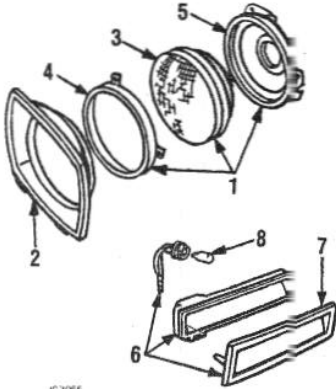
Information in the "GUIDE TO ESTIMATING" pages must be used with the text below to prepare a complete estimate.

FENDER & LAMPS (CONT)

75-78 RT	D 4.34	D5ZZ16B198A
75-78 LT	D 4.34	D5ZZ16B199A

With stripe tape, add 0.5, antenna, add 0.3.
After radiator support & fender are removed.
For other colors, call dealer.

FRONT LAMPS



JC7055

HEADLAMP

Aim headlamps	0.5	
Assembly		
w/door & bulb	RT D 39.72	0.5 D4ZZ13008C
	LT 37.47	0.5 D4ZZ13008B
Door		
w/o King Cobra	RT 19.13	0.2 D4ZZ13064A
	LT 19.13	0.2 D4ZZ13064B
w/king Cobra	RT D 15.85	0.2 D6ZZ13064A
	LT D 15.85	0.2 D6ZZ13064B
Seal beam	7.72	0.3 D2ZZ13007A
retaining ring	7.50	D3TZ13015A
adjusting ring	RT 14.13	D4ZZ13118A
	LT 14.13	D4ZZ13119A

SIDE MARKER LAMP, FRONT

Assembly	RT 18.82	0.3 D4ZZ15A201A
	LT 18.82	0.3 D4ZZ15A201B
Door		
to 3/8/74	74 RT 8.93	D4ZZ15A440A
	74 LT 8.93	D4ZZ15A440B
from 3/9/74	74-78 RT D 8.50	D4ZZ15A440E
	74-78 LT D 8.50	D4ZZ15A440F
Bulb	.80	C2AZ13466C

ANTENNA

Antenna assembly	manual	18.33	0.5 E3AZ18813A
------------------	--------	-------	----------------

ELECTRICAL

BATTERY-SEE INDEX PAGE A2

Shield		
4 cylinder	19.82	D6FZ10A682B
8 cylinder	D 26.76	D6ZZ10A682A
Cable		
to relay	9.77	D1PZ14300E
to ground		
4 cylinder	D 10.28	D8ZZ14301A
6 cylinder	12.30	D7ZZ14301B
8 cylinder	D 8.38	D5ZZ14301B

ALTERNATOR

Assembly		
38-42 amp	180.57	0.5 D7AZ10346C
55-60 amp	233.45	0.5 D7AZ10346B
61 amp	233.45	0.5 D7AZ10346A
65 amp	D257.20	0.5 D8ZZ10346A
70 amp	264.78	0.5 D7OZ10346B
90 amp	579.82	0.5 D7VZ10346A
Pulley		
1 groove		
w/o 70 amp alt	10.02	C5AZ10344K

w/70 amp alt	D 12.97	D=OZ10344A
2 groove		
w/o 70 amp alt	20.92	C5AZ10344L
w/70 amp alt	21.05	C5AZ10344A
Voltage regulator	36.51	0.5 PZ10316A

DISTRIBUTOR & IGNITION

Distributor cap		
4 cylinder	74-76 16.26	0.3 FZ12106A
	77-78 17.14	0.3 BZ12106A
6 cylinder	74 9.26	0.3 RY12106A
	75-76 15.49	0.3 TZ12106B
	77-78 19.83	0.3 DZ12106A
8 cylinder	74-76 17.23	0.3 AZ12106A
	77-78 20.28	0.3 ZZ12106A
rotor		
4 cylinder	74-76 3.48	FZ12200A
	77-78 4.63	TZ12200E
6 cylinder	74 6.06	RY12200A
	75-76 3.49	FZ12200B
	77-78 2.75	TZ12200D
8 cylinder	74-76 2.63	PZ12200A
	77-78 3.20	TZ12200C
Ignition coil		
Federal	74 28.34	0.3 6A12029B
	75-78 31.88	0.3 AZ12029A
California	74 25.58	0.3 AZ12029A
switch	74-76 14.12	0.4 OZ11572A
	77-78 13.46	OZ11572A
cylinder & key		
to 2/76	74-76 12.23	AZ11582A
from 2/76	76-78 12.23	FZ11582A

LAMPS

Headlamp, see fender	
Parking lamp, see grille	
Side lamp	
front, see fender	
rear, see quarter	
Tail lamp, see rear body	
License lamp, see rear body	

HORN

Horn		
low note	16.51	E1AZ13833A
high note	16.51	E1AZ13832A
New York City	D 16.40	C1AZ13832A
bugle type	D 25.85	VY13832A

With air conc. 0.7.

ENGINE

ENGINE, R&I

4 cylinder	
standard trans	# 3.5
automatic trans	# 3.8
6 cylinder	# 4.5
8 cylinder	# 5.0

ENGINE PARTS-4 CYLINDER

Crankshaft pulley		
3 groove		
w/o AC	56.92	0.7 C6ZA312A
w/AC	56.92	0.7 B6ZA312B
Timing case cover		
upper	25.07	C4FZ6019B
outer		
steel	49.83	8BZ6019D
plastic	97.22	J7FZ6019B
inner		
steel	47.38	C4FZ6019C
plastic	97.22	J7FZ6019B
lower	50.10	C3TZ6019A
Rubber mount		
front	74 RT 29.25	0.9 C5FZ6038B
	74 LT 29.25	0.9 C4FZ6038B
	75-78 29.25	0.9 C5FZ6038B
support bracket		
front	RT D 18.03	C5ZZ6028A
	LT D 16.78	C4ZZ6029A
rear		
w/o German 4 speed	29.37	0.5 C5ZZ6068A
w/German 4 speed	74 D 36.70	0.5 C4ZZ6068B
rear support	74 D 15.55	C1ZZ6A023B
	75-76 D 21.96	C5ZZ6A023A

rear sidemember	77-78 D 23.52	D7ZZ6A023A
	RT D 97.15	D5ZZ6A087A
	LT D 97.15	D5ZZ6A088A
Oil pan	70.92	2.7 D7FZ6675A
gasket	11.18	E5ZZ6781A
Oil filter element	7.93	0.3 D9AZ6731A
Fuel pump	74-75 24.03	0.5 D4FZ9350A
	76-78 31.74	0.5 D6FZ9350A

ENGINE PARTS-6 CYLINDER

Crankshaft pulley	74-76 82.23	0.9 D6ZZ6312A
manual trans	77-78 57.35	0.9 D7ZZ6312A
outer pulley	47.32	0.9 D4ZZ6A312A
Timing case cover	146.26	2.5 D4ZZ6019A
oil seal	4.66	D1FZ6700A
Rubber mount		
front	74 29.25	0.8 D5FZ6038B
	75-78 29.25	0.8 D5FZ6038B
rear	74 29.37	0.5 D5ZZ6068A
	75-78 29.37	0.5 D5ZZ6068A
support bracket		
side	RT D 18.03	D5ZZ6028A
	LT D 16.78	D4ZZ6029A
front	D 25.13	D7ZZ6A023B
rear	74 D 15.55	D4ZZ6A023B
	75-76 D 21.96	D5ZZ6A023A
	77-78 D 23.52	D7ZZ6A023A
Oil pan	83.40	2.9 D4ZZ6675A
gasket	10.31	D6ZZ6781A
Oil filter element	8.32	0.3 D4ZZ6731B
Fuel pump	74-75 50.08	0.5 D4ZZ9350B
	76-78 59.17	0.5 D6ZZ9350B

ENGINE PARTS-8 CYLINDER

Vibration damper	74.88	0.7 D5ZZ6316A
outer pulley	60.43	0.8 D5ZZ6A312A
Timing case cover	140.07	2.3 E7AZ6019A
gasket	1.46	E3AZ6020A
oil seal	8.18	E5TZ6700C
Rubber mount		
front	RT 34.46	0.8 D7ZZ6038A
	LT 29.25	0.8 D7ZZ6038B
rear	24.98	0.5 D7ZZ6068A
support bracket		
front		
to 2/15/76	75-76 RT D 18.03	D5ZZ6028A
	75-76 LT D 18.03	D5ZZ6029B
from 2/16/76	76 RT 19.97	D6ZZ6028A
	76 LT 18.03	D6ZZ6029A
	77-78 RT 19.97	D6ZZ6028A
	77-78 LT 19.30	D6ZZ6029B
rear	D 23.52	D7ZZ6A023A
Oil pan	78.85	2.0 D5ZZ6675A
gasket	12.35	D9AZ6781A
Oil filter	74-76 7.93	0.3 D9AZ6731A
	77-78 8.32	0.3 D4ZZ6731B
Fuel pump	75 36.14	0.5 D7OZ9350A
	76-78 36.58	0.5 D6OZ9350A

With air cond, add 0.6.

§ Time listed is for item without removal of any adjacent parts. If item is made accessible by other work being performed, adjust time accordingly. If any of the work is to be sublet, check with sublet shop for local rates.

† Both sides, 4 cyl 1.5, 6 & 8 cylinder 1.3.

CLUTCH & TRANSMISSION

CLUTCH (OR DISC) R&I OR RENEW

All models 2.7

TRANSMISSION, R&I OR RENEW

Manual 2.0

Automatic # 3.5

To clean & check converter, add 0.5.

EXHAUST SYSTEM

Manifold	
4 cylinder	74-76 106.22 1.1 E1BZ9430C
	77-78 116.18 1.1 D9ZZ9430A
6 cylinder	74 RT D 86.26 1.1 D4ZZ9430A
	74 LT D 86.26 1.1 D4ZZ9431A
	75 RT D 92.73 1.1 D5ZZ9430B
	75 LT D 86.26 1.1 D5FZ9431B

CONTINUED

Refinish times are for new undamaged OEM parts without molding, trim or attached parts. Refinish times do not include grinding, filling, smoothing welded seams and blending into adjacent panels.

1978-74 MUSTANG II

Information in the "GUIDE TO ESTIMATING" pages must be used with the text below to prepare a complete estimate.

EXHAUST SYSTEM (CONT)

76-78 RT	D9-73	1.1	D6ZZ9430D
76-78 LT	D9-73	1.1	D6ZZ9431D
8 cylinder	RT D9-95	1.3	D5ZZ9430A
	LT 11-42	1.0	D5ZZ9431B

EXHAUST SYSTEM

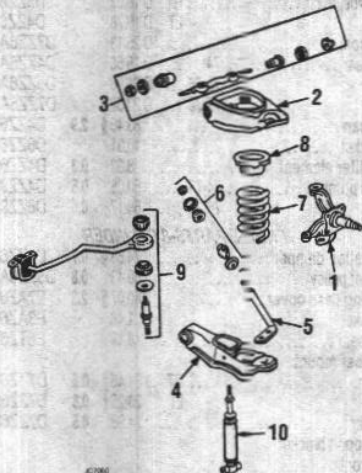
Due to the large variety of Parts available, order by description from dealer.

EMISSION SYSTEM

Air pump pulley	14 67 # 0.5	E1TZ9A486D
4 cylinder, w/o AC	2-27 0.3	D5FZ9B447D
w/AC	D1-60 0.5	D4ZZ9B447B
6 cylinder	74 D1-27 # 0.3	D4ZZ9B447A
	75-78 1-88 # 0.3	D5ZZ9B447B
8 cylinder	D1-90 # 0.3	D5ZZ9B447A

With air condition, add 0.2.

WHEELS & FRONT SUSPENSION



Wheel alignment	1.4
Toe-in, adjust	0.5
Suspension overhaul	3.0

WHEELS

Wheel			
13x4.00	(p.5) 74	D28-2 # 0.3	D6FZ1007C
13x5.00			
painted	(p.5)	35-2 # 0.3	D5FZ1007A
styled steel			
to 11/77	74-77	126-3 # 0.3	D4ZZ1007A
from 11/77	77-78	D104-0 # 0.3	D7YY1007A
13x5.50			
plain		D34-2 # 0.3	D5ZZ1007A
styled steel	75-76	D104-5 # 0.3	D5ZZ1007B
w/o WJ	77-78	D102-2 # 0.3	D6ZZ1007A
w/WJ	77-78	D102-2 # 0.3	D7ZZ1007B
aluminum			
slotted	74-76	D172-0 # 0.3	D4FZ1007A
	77-78	D167-2 # 0.3	D6FZ1007A
diamond	75-76	D159-3 # 0.3	D6ZZ1007B
	77-78	D102-2 # 0.3	D6ZZ1007A
chamois	77-78	D176-5 # 0.3	D7ZZ1007A
Hub cap or cover			
diameter			
2 & 1/2"	74	25-2	D4ZZ1130E
6 & 1/8"	74	D31-8	D4ZZ1130C
14 & 1/8"	74	D36-8	D4ZZ1130D
14 & 1/4"	74	69-3	D4ZZ1130A
2 & 5/8"	75-78	23-5	D5ZZ1130B
3 & 1/8"	75-78	25-2	D6FZ1130C
6 & 1/8"			
w/o chrome	75-78	D31-8	D4ZZ1130C
w/chrome	75-78	34-7	D6FZ1130B
14 & 1/4"	75-78	43-3	D5ZZ1130A
w/crest	75-78	137-3	D7FZ1130A

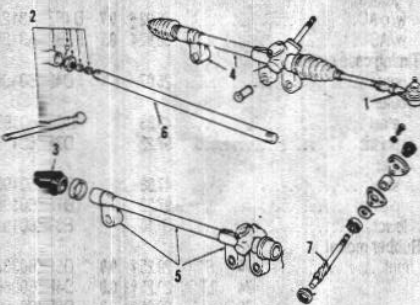
Nu chrome	1.45	D4FZ1012A
Trim ring		
w/ Cobra	27.48	D1FZ1210A
w/ Cobra	D27.79	D5ZZ1210A
Bearing, front wheel		
cone & roller		
outer	7.43	DOAZ1216A
inner	8.52	DOAZ1201A
cup		
outer	3.25	DOAZ1217B
inner	3.87	DOAZ1202B
grease retainer	2.45	C8AZ1190A
cap	2.13	B5A1131A

FRONT SUSPENSION

Crossmember, see frame		
Hull & rotor		
slash shield		
RT	62.13	0.8 D4FZ1102A
LT	13.93	D5FZ2K004A
D5FZ2K005A		
Caliper assembly		
74 RT	D79.45	1.0 D4FZ2B120A
74 LT	D79.45	1.0 D4FZ2B121A
75 RT	D79.45	1.0 D5FZ2B120A
75 LT	D79.45	1.0 D5FZ2B121A
76-78 RT	94.99	1.0 D5DZ2B120A
76-78 LT	94.99	1.0 D5DZ2B121A
anchor plate		
RT	D26.32	D6FZ2B292A
LT	D26.31	D6FZ2B293A
Brake hose	D189.98	0.5 D6AY3600H
1 Steering knuckle		
RT	151.72	1.3 D5FZ3105A
LT	151.72	1.3 D5FZ3106A
ball-joints, see control arms		
Control arm		
upper		
w/shaft & joint	102.70	1.0 D5FZ3082A
shaft & bushing	38.22	D6FZ3047A
lower w/joint	74-78 94.97	1.8 D7FZ3078A
strut	74 RT D11.55	0.9 D4ZZ3468C
	74 LT D11.55	0.9 D4ZZ3468B
	75-78 RT D14.31	0.9 D5ZZ3468C
	75-78 LT D14.31	0.9 D5ZZ3468D
bushing	12.92	D5ZZ3A187A
7 Spring, order by description	1.4	
insulator		
upper		
w/o AC	5.65	D4ZZ5415A
w/AC	D4.41	D5ZZ5415A
lower	3.04	D4FZ5414A
Stabilizer shaft		
9 standard	74 D41.50	0.7 D4ZZ5482A
	75-78 D49.43	0.7 D6ZZ5482A
heavy duty	74 D29.95	0.9 D4ZZ5482B
	75-78 D54.20	0.9 D5ZZ5482E
bushing	7.02	D4FZ5A486A
10 Shock absorber		
standard	21.91	D4FZ18124C
heavy duty	D25.63	D1FZ18124F

Add for balance, weights & valve stem.

STEERING



Tie rod		
1 end/outer	19.23	0.8 D5ZZ3A130A
2 inner		
manual steering	65.72	D4FZ3280A
power steering		
to 6/77	74-77 63.05	D4ZZ3280B
from 6/77	77-78 61.55	D9FZ3280A

3 dust seal		
manual steering	10.87	D3FZ3332C
power steering		
to 3/27/77	74-77 10.87	D4ZZ3332C
from 3/28/77	77-78 5.48	D8FZ3332A
4 Gear assembly		
manual steering	381.80	1.2 D9FZ3504B
power steering	663.98	1.5 EOFZ3504A
5 Housing assembly		
manual steering	142.23	D4FZ3548A
power steering	311.98	D9FZ3548A
6 Sector shaft		
manual steering	68.43	D4FZ3575A
power steering		
to 6/27/77	74-77 115.80	D4ZZ3575A
from 6/28/77	77-78 31.47	D8FZ3575B
7 rack assembly	51.52	D5FZ3524B
Main shaft		
upper	74 D37.25	D4ZZ3524A
	75-77 68.28	D5FZ3524A
lower	118.28	D5ZZ3B676A
flexible joint		
manual steering		
to 5/1/75	74-75 19.37	D3FZ3A525B
from 5/2/75	75-78 19.37	D5FZ3A525A
power steering	19.37	D3OZ3A525A
Column jacket	D63.16 # 2.0	D4ZZ3514A
Pump assembly		
to 6/27/77	74-77 D213.65	1.0 D5ZZ3A674A
from 6/27/77	77-78 200.56	E1DZ3A674A
pulley		
4 cylinder	20.98	0.3 D4ZZ3A733A
6 cylinder	14.77	0.3 C7AZ3A733A
8 cylinder		
to 6/27/77	74-77 20.98	0.3 D5ZZ3A733A
from 6/28/77	77-78 20.98	0.3 D8ZZ3A733A
reservoir	74 21.10	D4ZZ3A697A
to 6/27/77	75-77 73.85	D5ZZ3A697A
from 6/28/77	77-78 5.48	E6DZ3A006A
hose, pressure		
4 cylinder	74-76 32.69	D6FZ3A719A
	77-78 32.69	D7FZ3A719A
6 cylinder		
to 5/76	74-76 32.69	D5ZZ3A719D
from 5/76	76 32.65	D6FZ3A719B
	77-78 32.69	D7FZ3A719B
8 cylinder		
to 6/27/77	74-77 D32.69	D5ZZ3A719A
from 6/28/77	77-78 43.88	D8ZZ3A719C
hose, return		
to 5/76	74-76 D16.09	D5ZZ3A713A
from 5/76	76 D16.09	D6FZ3A713A
	77 D18.68	D7FZ3A713A
	78 18.68	D8FZ3A713A
oil cooler	74 D19.70	D4ZZ3D746A
	75-78 38.80	D5ZZ3D746A
Steering wheel		
w/o leather		
74	D92.63	0.5 D2AZ3600K
75-76	D104.57	0.5 D5AZ3600C
77	D176.00	0.5 D7OZ3600B
78	D104.57	0.5 D5AZ3600C
w/leather		
74	D114.90	0.5 D3FZ3600B
75-76	D240.39	0.5 D5OZ3600F
77-78	D176.00	0.5 D7OZ3600B
pad	D34.84	D8AZ3623E
emblem		
w/o 2 spoke	74 D3.92	D4ZZ3649A
	75-76 D3.65	D6ZZ3649A
	77-78 5.22	D7OZ3649A
w/2 spoke	77-78 4.38	D6AZ3649B

Overhaul, add 1.0

\$ Overhaul, add 1.6

† Overhaul, add 2.3

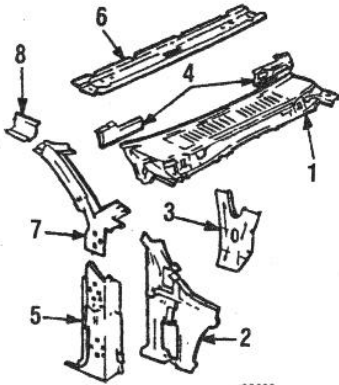
‡ For other colors, call dealer.

CONTINUED

1978-74 MUSTANG II

Information in the "GUIDE TO ESTIMATING" pages must be used with the text below to prepare a complete estimate.

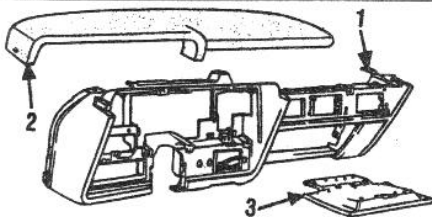
COWL & WINDSHIELD



JC7060

PARTS & LABOR

Cowl top panel (p1.0)	D136.15	D4ZZ6902010A
side panel	RT D 33.15 # 2.0	D4ZZ6902038A
	LT D 33.15 # 2.0	D4ZZ6902039A
brace	D 8.80	D4ZZ69023A40A
reinforcement	RT D 5.40	D4ZZ69022A06A
	LT D 5.40	D4ZZ69022A067A
Hinge pillar, belt down (p1.0)	RT D 51.75 § 5.5	D4ZZ6902500A
	LT D 51.75 § 5.5	D6ZZ6902501A
Dash panel	74 D 31.30	D4ZZ6901610A
	75-76 D 34.85	D5ZZ6901610A
	77-78 D 45.70	D7ZZ6901610A
Windshield header	D 26.95 > 1.5	D7ZZ6903408A
pillar (p1.0)	RT D 74.85 † 3.0	D7ZZ6902504A
	LT D 74.85 † 3.0	D7ZZ6902505A
reinforcement	RT D 5.10	D5ZZ6902574A
	LT D 5.10	D5ZZ6902575A
Windshield glass		
Ford		
clear	322.22 † 1.3	D4ZZ6903100A
tinted	369.42 † 1.3	D4ZZ6903100B
NAGS		
clear	322.25 † 1.3	WB24C
tinted	D276.50 † 1.3	WB24T
Mouldings, reveal		
side		
black	RT D 8.35 0.2	D7ZZ6903136BA
	LT D 8.35 0.2	D7ZZ6903137BA
chrome	RT 11.18 0.2	D7ZZ6903136A
	LT 11.18 0.2	D7ZZ6903137A
upper		
black	D 9.40 0.3	D7ZZ6903144BA
chrome	D 10.34 0.3	D7ZZ6903144A
lower		
black	D 13.25 0.3	D6ZZ6903148A
chrome	11.08 0.3	D4ZZ6903148A
Moulding, garnish		
upper	D 10.65	D4ZZ6903606A
side, paint to match	RT D 15.24	D4ZZ6903598D
	LT D 15.24	D4ZZ6903599D

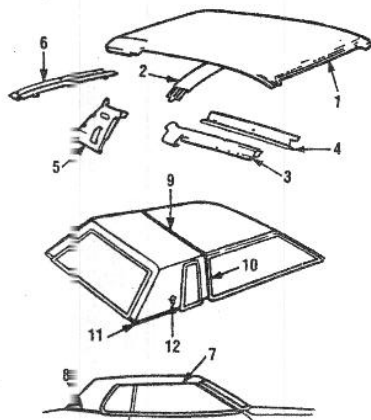


1 Instrument panel	269.78	6.5	D4ZZ6904320A
2 crash pad	D175.29 @ 1.0		D4ZZ6904282C
finish panel	D 83.10		D4ZZ69044A90A
3 Door, glove box	D 40.72	0.3	D7ZZ6906024A

Wiper arm	RT D 19.69	D4ZZ17566B	
	LT D 25.08	D4ZZ17567A	
blade			
to 10/75	74-75	D 5.53 0.2	D4ZZ17528B
from 10/75	75-78	D 6.86 0.2	D6ZZ17528B
Stallion groove		D 5.53 0.2	D4ZZ17528B
motor		101.23 0.6	D4ZZ17508A
washer reservoir			
w/o 6 cylinder		15.93	D4AZ17618A
w/6 cylinder		15.93	D1SZ17618B
pump		21.63	EOAZ17664A
nozzle		D 3.05	D4ZZ17603A
Mirror, inside		23.13 0.2	DODZ17700A
Visor arm & bracket			
to 10/75	75	9.33	C9AZ6204144A
from 10/75	75-78	7.92	D1FZ6204144A

After hinge pillar is removed
 § After fender - door are removed.
 † After windshield, door & trim are removed.
 ‡ Add for installation materials. Check price locally
 > After roof is removed.
 @ For other covers, call dealer.

ROOF & BACK GLASS



JC7060

1 Roof panel			
w/o sun roof	(p3.0)	D168.15 # 15.0	D4ZZ690202A
w/sun roof	(p3.5)	D106.70 # 19.0	D4ZZ690202B
glass panel		D148.20	D7ZZ6905020A
2 Reinforcement, center		D 19.95	D4ZZ6905024A
Rails			
3 side, outer	RT D 46.50 § 2.5	D5ZZ69051186B	
	LT D 46.50 § 2.5	D5ZZ69051187B	
4 inner, front			
5 rear	RT D 30.90	D4ZZ69051212A	
	LT D 30.90	D4ZZ69051213A	
6 above back window	D 35.20 § 2.0	D4ZZ6904222A	
weatherstrip			
w/o hatch roof	RT D 45.75	D4ZZ6951222A	
	LT D 48.93	D4ZZ6951223A	
w/hatch roof			
front	RT D 43.57	D7ZZ6951222A	
	LT D 43.57	D7ZZ6951223A	
rear	RT D 51.09	D7ZZ6951222B	
	LT D 53.63	D7ZZ6951223B	
retainers			
3 door			
front	RT D 14.11	D4ZZ69513A66A	
	LT D 14.11	D4ZZ69513A667A	
rear	D 5.45	D4ZZ69282A04A	
Ghia			
front	RT D 13.15	D4ZZ69513A66A	
	LT D 13.15	D4ZZ69513A667A	
rear	D 5.45	D4ZZ69282A04A	
hatch roof			
front	RT D 14.11	D4ZZ69513A66A	
	LT D 14.11	D4ZZ69513A667A	
rear	D 5.45	D4ZZ69282A04A	

2-DOOR

7 Rain gutter, chrome			
w/roof cover	RT D 18.17	0.3	D4ZZ69051726B
	LT D 19.25	0.3	D4ZZ69051727B
Ghia	RT D 12.95	0.3	D5ZZ69051726A
	LT D 12.95	0.3	D5ZZ69051727A
w/roof cover	RT D 11.80	0.3	D4ZZ69051726A
	LT D 11.80	0.3	D4ZZ69051727A
Ghia	RT D 15.41	0.3	D5ZZ69051726B
	LT D 15.41	0.3	D5ZZ69051727B
Cover, fabric			
w/o full roof	75-76 D 91.45 ‡ 4.5		D5ZZ69053700E
	77-78 D114.55 ‡ 4.5		D7ZZ69053700B6A
w/full roof	74 D203.05 ‡ 6.5		D5ZZ69053700L
	75-76 D203.05 ‡ 6.5		D5ZZ69053700L
	77-78 D254.45 ‡ 6.5		D7ZZ69053700A8A
Cover surround mouldings			
full roof cover			
front	RT D 6.05		D5ZZ690517A62B
	LT D 6.05		D5ZZ690517A62B
8 belt			
w/o Ghia, black	RT D 9.07	0.3	D4ZZ690423A18A
	LT 8.55	0.3	D4ZZ690423A18A
w/Ghia, black	75 RT D 5.35 @ 0.3		D5ZZ690423A18D
	75 LT D 5.35 @ 0.3		D5ZZ690423A18D
	76 RT D 6.65 @ 0.3		D5ZZ690423A18G
	76 LT D 6.65 @ 0.3		D5ZZ690423A18G
	77-78 RT D 8.84 > 0.3		D7ZZ690423A18A
	77-78 LT D 8.84 > 0.3		D7ZZ690423A18A
half roof cover			
9 front, top	D 10.84		D5ZZ690517A02A
10 side	RT D 10.15		D5ZZ690517A62A
	LT D 10.15		D5ZZ690517A62A
11 belt, black	75 RT D 5.35 @ 0.3		D5ZZ690423A18D
	75 LT D 5.35 @ 0.3		D5ZZ690423A18D
	76 RT D 8.84 @ 0.3		D7ZZ690423A18A
	76 LT D 8.72 @ 0.3		D7ZZ690423A18A
	77-78 RT D 8.84 > 0.3		D7ZZ690423A18A
	77-78 LT D 8.84 > 0.3		D7ZZ690423A18A
12 Ornament, Ghia		6.48	D5ZZ690517A20A
Trim panel, black	74 RT D 44.80 @		D4ZZ69050460E
	74 LT D 44.80 @		D4ZZ69050461E

Stripes, see end of chapter

Back window

Ford

w/o heated			
clear	250.78 † 1.5		D4ZZ69042006A
tinted	274.08 † 1.5		D4ZZ69042006B
w/heated			
clear			
to 4/1/76	74-76 520.93 † 1.7		D4ZZ69042006C
from 4/2/76	76-78 D469.30 † 1.7		D6ZZ69042006A

Nags

w/o heated			
clear	202.05 † 1.5		B5O30C
tinted	220.75 † 1.5		B5O30T
w/heated	927.70 † 1.7		B5470T

reveal moulding

lower	D 15.07	0.3	D4ZZ69042405B
upper	RT D 16.89	0.2	D7ZZ69042430A
	LT D 16.89	0.2	D7ZZ69042431A
side	RT D 16.89	0.2	D7ZZ69042430A
	LT D 16.89	0.2	D7ZZ69042431A

garnish moulding

upper	RT D 17.40		D4ZZ69042410A
	LT D 17.40		D4ZZ69042410B
side			
to 10/3/77	74-77 RT D 6.25		D4ZZ69042416A
	74-77 LT D 6.25		D4ZZ69042417A
from 10/4/77	77-78 RT D 7.40		D8ZZ69042416A
	77-78 LT D 7.40		D8ZZ69042417A
louver assembly	D164.67	0.3	D7ZZ6944268B

SUNROOF & MOONROOF

Sliding panel

w/o roof cover	D245.90		D4ZZ690502A82A
w/roof cover	D260.35 @		D4ZZ690502B99F

Glass assembly

silver	D790.15		D5ZZ690502A82A
brown	138.50		D6ZZ690502A82A

Weatherstrip

front, w/o vinyl	D 31.47		D7ZZ690502C50B
w/vinyl	D 29.40		D7ZZ690502C50C

CONTINUED

Refinish times are for new undamaged OEM parts without molding, trim or attached parts. Refinish times do not include grinding, filling, smoothing welded seams and blending into adjacent panels.

D565

1978-74 MUSTANG II

Information in the "GUIDE TO ESTIMATING" pages must be used with the text below to prepare a complete estimate.

ROOF & BACK GLASS (CONT)

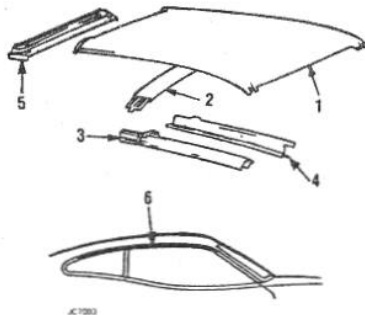
w/glass panel	D 38.18	D7Z69502C50A
Pad, front	D 28.20	D4Z69519B66A
Handle	D 5.31	D2F262502A50A
Housing assembly	74-76 D317.75	D4Z69502C22A
	77-78 D108.30	D7Z69502C22A
cable & slide	RT D 59.38	D4Z69502B20A
	LT 59.38	D4Z69502B20A
guide	D 12.95	D4Z69502L16A
cover	D 19.45	D4Z69502L14A
gear & drive	D 25.48	D4Z69502C19A
seal, rear	D 12.45	D4Z69502C12B

HATCH ROOF (T ROOF)

Panel		
w/o latch	RT D430.19	D7Z69500A18A
	LT 430.19	D7Z69500A189B
w/latch		
w/o black	RT D617.09	D7Z69502B98A
	LT D617.09	D7Z69502B98B
w/black	RT D617.09	D7Z69502B98C
	LT D617.09	D7Z69502B98D

Weatherstrip		
around glass	D 45.30	D7Z6954780A
door opening, upper	RT D 39.10	D7Z6920710A
	LT D 39.10	D7Z6920711A
roof opening	D 45.50	D7Z6950080A
Latch assembly	RT D 34.90	D7Z69514A52A
	LT D 34.90	D7Z69514A523A
Handle	D 16.68	D7Z69500R04A

For other parts, check with local dealer



1 Roof panel	(p3.0) D118.50	16.0	D4Z26950202A
2 Reinforcement, center	D 19.95		D4Z26950244A
Rails			
3 side, outer	RT D 89.35	2.5	D5Z26951186B
	LT D 89.35	2.5	D5Z26951187B
4 inner			
5 above back window	D 35.20	2.0	D4Z26942220A
6 Rain gutter			
chrome	RT D 19.25	0.3	D4Z26951726A
	LT 18.17	0.3	D4Z26951727A
black	RT D 21.63	0.3	D6Z26951726A
	LT D 21.63	0.3	D6Z26951727A

Back window, see tail gate

HEADLINING, R&I 3.0.

With full roof cover, add 4.0, half cover, add 2.5.

§ After roof panel is removed

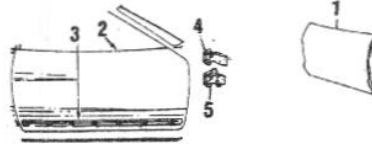
† Add for installation materials. Check price locally.

‡ Does not include glass removal. Call dealer for price of various colors.

> Paint to match.

@ For other colors, call dealer.

DOOR



REFINISHING NOTES

Deduct for overlap when necessary. See GUIDE to ESTIMATING pages

Outer panel refinish
add for door edge if required 0.3

PARTS & LABOR

Assembly, R&I 0.5

Trim panel, R&I 0.3

1 Door (p2.8) 74-77 367.60 † 3.5 D7Z6920124C

(p2.8) 74-77 367.60 † 3.5 D7Z6920125C

(p2.8) 78 RT D367.60 † 3.5 D8Z6920124A

(p2.8) 78 LT D367.60 † 3.5 D8Z6920125A

Outer panel (p2.5) RT D118.27 † 4.5 D6Z6920200A

LT D118.27 † 4.5 D8Z6920201A

Weatherstrip door RT D 32.85 0.5 D4Z26920530A

LT 34.65 0.5 D4Z26920531A

Mouldings

edge guard

w/o lower moulding RT D 14.40 0.2 D4Z26920940A

LT D 14.40 0.2 D4Z26920941A

w/lower moulding RT D 13.93 0.2 D4Z26920940B

LT D 13.93 0.2 D4Z26920941B

2 belt, black RT D 20.63 D6Z26920934A

LT D 20.63 D6Z26920935A

chrome RT D 28.27 D4Z26920934A

LT 29.53 D4Z26920935A

3 side

w/o vinyl (d.3) RT D 18.35 0.3 D4Z26920878A

(d.3) LT D 18.35 0.3 D4Z26920879A

w/vinyl

black (d.3) RT D 47.22 † 0.3 D4Z26020938AA

(d.3) LT D 47.22 † 0.3 D4Z26020939AA

Stripes, see end of chapter

Mirror

manual (p.5) D 56.30 0.3 D2FZ17682A

remote (p.5) RT D 96.57 1.5 D4Z217682A

(p.5) LT 91.87 0.7 D2FZ17682C

Glass

2 door

Ford

clear RT 176.97 1.0 D4Z26021410A

LT 176.97 1.0 D4Z26021411A

tinted RT 204.27 1.0 D4Z26021410B

LT 204.27 1.0 D4Z26021411B

Nags

clear RT 142.55 1.0 D5O25C

LT 142.55 1.0 D5O26C

tinted RT 164.55 1.0 D5O25T

LT 164.55 1.0 D5O26T

3 door

Ford

clear RT 193.58 1.0 D4Z26921410A

LT 193.58 1.0 D4Z26921411A

tinted RT 197.12 1.0 D4Z26921410B

LT 197.12 1.0 D4Z26921411B

Nags

clear RT 148.70 1.0 D5O17C

LT 148.70 1.0 D5O18C

tinted RT 158.80 1.0 D5O17T

LT 158.80 1.0 D5O18T

regulator

w/o 16" arm rest RT 54.14 0.7 D4Z26023200A

LT D 62.57 0.7 D4Z26023201A

w/16" arm rest RT D 62.57 0.7 D4Z26923200A

LT D 65.70 0.7 D4Z26923201A

Handle outside

2 door				
to 6/27/77	74-77 RT	27.68	0.6	D8BZ5422404A
	74-77 LT	27.68	0.6	D8BZ5422405A
from 6/28/77	77-78 RT	D 13.05	0.6	D8Z26922404A
	77-78 LT	D 13.05	0.6	D8Z26922405A

3 door				
to 6/27/77	74-77 RT	D 18.75	0.6	D7Z26922404A
	74-77 LT	D 24.33	0.6	D7Z26922405A
from 6/28/77	77-78 RT	27.68	0.6	D8BZ5422404A
	77-78 LT	27.68	0.6	D8BZ5422405A

Lock				
cylinder & keys				
w/o black cylinder		11.73	0.4	D2A26521984A
w/black cylinder		D 5.80	0.3	D7Z26921984A
illuminated	RT	D 28.65		D7O25321984A
	LT	D 28.65		D7O25321985A
striker		6.63	0.2	D2A26522008A

Hinge				
4 upper	(p.3)	23.93	0.7	D2O26522800A
5 lower	(p.3)	33.52	0.7	D2O26522810A

Both 0.9

† For a new door or outer

With stripe tape, add 0.5.

‡ For other colors, call dealer.

ROCKER PANEL

Panel	(p1.0)	RT D 53.43	# 4.0	D4Z26910129A
	(p1.0)	LT D 53.43	# 4.0	D4Z26910129A

Inner side member, see frame				
Moulding	(d.3)	RT D 34.42	0.3	D4Z26910176A
	(d.3)	LT D 34.42	0.3	D4Z26910177A

Sill plate		D 22.35	0.2	D4Z26913208A
------------	--	---------	-----	--------------

With hinge or lock pillar removed 3.0.

SEAT TRACKS

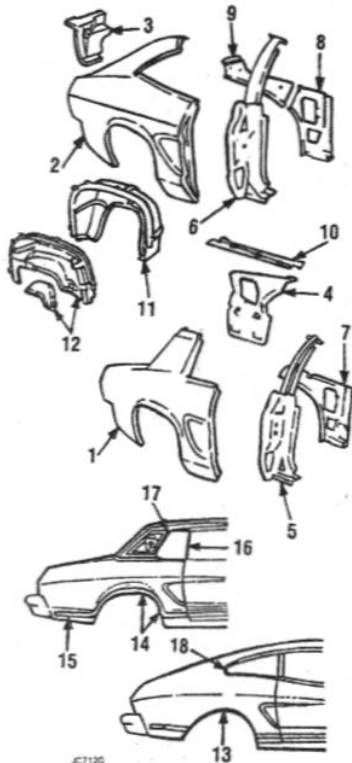
2 way manual	RT	D 35.88	# 0.7	D4Z26961704A
	LT	37.85	# 0.7	D4Z26961705A
4 way manual, driver		D 23.10		D7Z26961705A

Time is for overhaul.

CONTINUED

Information in the "GUIDE TO ESTIMATING" pages must be used with the text below to prepare a complete estimate.

QUARTER PANEL & LAMPS



REAR QUARTER

Sectioning

cut at belt	
2-door	11.0
3-door	10.0

Outer panel

1 2 door	(p.2.5) 74 RT	298.32	# 13.0	D7Z26027840A
	(p.2.5) 74 LT	250.30	# 14.0	D4Z26027841A
(p.2.5) 75-78 RT	(p.2.5) 75-78 RT	298.32	# 13.0	D7Z26027840A
	(p.2.5) 75-78 LT	298.32	# 14.0	D7Z26027841A
2 3 door	(p.2.5) 74 RT	298.32	# 12.0	D7Z26927840A
	(p.2.5) 74 LT	255.27	# 13.0	D4Z26927841A
(p.2.5) 75-78 RT	(p.2.5) 75-78 RT	298.32	# 12.0	D7Z26927840A
	(p.2.5) 75-78 LT	298.32	# 13.0	D7Z26927841A

3 extension rear, lower	RT	D 7.60	1.0	D4Z269279C90A
	LT	D 7.60	1.0	D4Z269279C901A
spoiler	RT	48.43		D7Z26928010A
	LT	48.43		D7Z26928011A

4 strainer to floor	2-door	RT	D 17.30	D4Z26028772A
		LT	D 17.30	D4Z26028773A
	3-door	RT	D 20.00	D4Z26928772A
	LT	D 20.00	D4Z26928773A	

5 Lock pillar	2-door	(p.5) RT	D 41.53	3.0	D7Z26028160A
		(p.5) LT	D 41.53	3.0	D7Z26028161A
6 3-door	(p.5) RT	D 41.53	3.0	D7Z26928160A	
	(p.5) LT	D 41.53	3.0	D7Z26928161A	

7 Wheelhouse brace	2 door	74-76 RT	D 8.95	D4Z26028258A
		74-76 LT	D 8.95	D4Z26028259A
		77-78 RT	D 12.15	D7Z26928258A
		77-78 LT	D 12.15	D7Z26928259A
		77-78 LT	D 12.15	D7Z26928258A
8 3 door reinforcement	2 door	RT	D 7.90	D4Z26029200A
		LT	D 8.15	D5Z26029201A

3 door	RT	D 7.85		D7Z26928330A
	LT	D 7.85		D7Z26928331A

10 Drain gutter (part of qtr) Wheelhouse

11 outer	74-76 RT	D 46.18	1.5	D7Z26927894A
	74 LT	41.50	1.5	D4Z26927895A
	77-78 RT	D 46.18	1.5	D7Z26927894A
12 inner	75-78 LT	D 46.18	1.5	D7Z26927895A
	74-76 RT	D 34.85	2.0	D4F26227886A
	74-76 LT	D 34.85	2.0	D4F26227887A
	77-78 RT	D 43.98	2.0	D6Z26927886A
	77-78 LT	D 41.50		D7F26227887A

Rail, at belt

2 door	to 6/76	74-76 RT	D 9.90	D4Z26041708A
		74-76 LT	D 9.90	D4Z26041709A
from 6/76	77-78 RT	D 14.97		D7Z26041708A
	77-78 LT	D 14.97		D7Z26041709A

3 door	to 6/76	74-76 RT	D 12.60	D4Z26941708A
		74-76 LT	D 12.60	D4Z26941709A
from 6/76	76-78 RT	D 19.10		D7Z26941708A
	76-78 LT	D 19.10		D7Z26941709A

Mouldings:

13 wheel opening	(d.2)	RT	21.45	0.2	D4Z26929164A
		LT	21.45	0.2	D4Z26929165A

side w/o vinyl insert

front	(d.2)	RT	D 6.78	0.5	D4Z26929076A
		LT	D 7.47	0.5	D4Z26929077A
rear	(d.2)	RT	D 4.82	0.3	D4Z26929038A
		LT	D 4.82	0.3	D4Z26929039A

w/vinyl insert, black

14 front	(d.3)	RT	33.43	0.7	D4Z26029076AA
	(d.3)	LT	33.43	0.7	D4Z26029077AA
15 rear	(d.2)	RT	D 62.98	0.3	D4Z26029038AA
	(d.2)	LT	D 69.28	0.3	D4Z26029039AA

16 window reveal

front, white	RT	D 11.76	0.3	D4Z269290466X
	LT	11.76	0.3	D4Z2692904667X

17 rear

2 door black	RT	D 9.35		D6Z26029034B
	LT	D 9.35		D6Z26029035B

chrome	RT	D 16.48		D4Z26029034A
	LT	D 16.48		D4Z26029035A

18 3 door black	RT	D 15.05		D6Z26929034A
	LT	D 15.05		D6Z26929035A
chrome	RT	D 15.05		D4Z26929034A
	LT	D 17.55		D4Z26929035A

Decal, unimided fuel

Stripes, see end of chapter			1.45	D7C9A095A
-----------------------------	--	--	------	-----------

Glass, 2-Door w/o Ghia

Ford	clear	RT	201.82	1.0	D4Z26029710A
		LT	201.82	1.0	D4Z26029711A
	tinted	RT	214.17	1.0	D4Z26029710B
	LT	214.17	1.0	D4Z26029711B	

Nags

clear	RT	62.30	1.0	Q5O27C
	LT	62.30	1.0	Q5O28C
	tinted	RT	68.55	1.0
	LT	68.55	1.0	Q5O28T

rubber channel

retainer	RT	D 15.40		D4Z26029904A
	LT	D 15.40		D4Z26029905A

garnish moulding

to 5/76	74-76 RT	D 4.70		D4Z26029014D
	74-76 LT	D 4.70		D4Z26029015F
from 5/76	76-78 RT	D 4.35		D7Z26029014B
	76-78 LT	D 4.35		D7Z26029015B

louver

	RT	D 45.41		D7Z2692788288A
--	----	---------	--	----------------

Glass, w/2door Ghia

Ford	clear	RT	70.35	0.8	D5Z26029710A
		LT	70.35	0.8	D5Z26029711A
tinted	RT	210.22	0.8	D5Z26029710B	
	LT	210.22	0.8	D5Z26029711B	

Nags

clear	RT	70.35	0.8	Q5191C
	LT	70.35	0.8	Q5192C

tinted	RT	210.25	0.8	Q5191T
	LT	210.25	0.8	Q5192T

housing outside

	RT	D 22.30		D5Z260304A22A
	LT	D 22.30		D5Z260304A23A

inside clear

to 5/3/76	74-76 RT	D 56.75		D5Z260525A12A
	74-76 LT	D 56.75		D5Z260525A123A
from 5/3/76	76-78 RT	D 51.95		D6Z260525A12A
	76-78 LT	D 51.95		D6Z260525A123A

tinted

to 5/3/76	74-76 RT	210.22		D5Z26029710B
	74-76 LT	210.22		D5Z26029711B
from 5/3/76	76-78 RT	D 51.95		D6Z260525A12A
	76-78 LT	D 51.95		D6Z260525A123A

Glass, 3-Door, stationary

Ford	clear	RT	126.22	0.8	D4Z26929710A
		LT	235.07	0.8	D4Z26929711A

tinted	RT	245.80	0.8	D4Z26929710B
	LT	245.80	0.8	D4Z26929711B

Nags

clear	RT	105.15	0.8	Q5O21C
	LT	105.15	0.8	Q5O22C
tinted	RT	118.95	0.8	Q5O21T
	LT	118.95	0.8	Q5O22T

rubber channel

retainer	RT	D 23.40		D4Z26929904A
	LT	D 23.40		D4Z26929905A

retainer

	RT	D 25.10		D4Z26929664B
	LT	D 25.10		D4Z26929665B

Glass, 3-Door, adjustable

Ford	clear	RT	D 82.63	0.8	D4Z26929710C
		LT	D 82.63	0.8	D4Z26929711C

tinted	RT	D 92.15	0.8	D4Z26929710D
	LT	D 92.15	0.8	D4Z26929711D

Nags

clear	RT	93.20	0.8	Q5O19C
	LT	93.70	0.8	Q5O20C
tinted	RT	104.00	0.8	Q5O19T
	LT	104.55	0.8	Q5O20T

rubber channel

retainer, front	RT	D 30.40		D4Z26929904B
	LT	D 30.40		D4Z26929905B
rear	RT	D 8.15		D4Z26929952A
	LT	D 8.15		D4Z26929953A

latch

rear	RT	D 21.05		D4Z26929758A
	LT	D 21.05		D4Z26929757A
latch	RT	D 24.33	0.2	D4Z269303A24A
	LT	24.33	0.2	D4Z269303A24B

SIDE MARKER LAMP, REAR

Assembly	RT	18.82	0.3	D4Z215A201C
	LT	18.82	0.3	D4Z215A201D

seal		D 8.63		D4Z215A447A
------	--	--------	--	-------------

Bezel

w/o Mach 1	RT	9.32		D4Z215A440C
	LT	9.32		D4Z215A440D
w/Mach 1	RT	D 8.45		D4Z215A440G
	LT	D 8.87		D4Z215A440H

Bulb

		.80		C2A213466C
--	--	-----	--	------------

With roof cover, add 1.0.
After outer panel is removed.
For other colors, call dealer.
See general information page under sectioning.

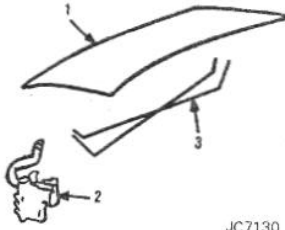
CONTINUED

Refinish times are for new undamaged OEM parts without molding, trim or attached parts. Refinish times do not include grinding, filling, smoothing welded seams and blending into adjacent panels.

1978-74 MUSTANG II

Information in the "GUIDE TO ESTIMATING" pages must be used with the text below to prepare a complete estimate.

TRUNK LID



JC7130

REFINISHING NOTES

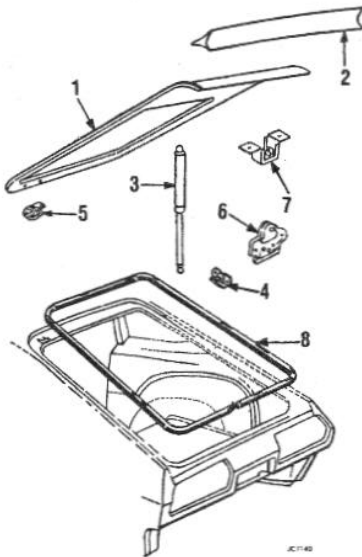
Deduct for overlap when necessary. See GUIDE to ESTIMATING pages
 Add for underside 0.6
 trunk lid 1.0

PARTS & LABOR

Assembly, R&I			0.3
1 Lid (p.2.0)	D214.65	0.7	D7Z26040110B
Name plate, Mustang II	18.60	0.2	D4Z26042528A
Transfer, Cobra II			
white	76	D 10.57 †	0.3 D6Z26942528C
blue	77-78	D 9.70 †	0.3 D7Z26942528AB
Stripes, see end of chapter			
Lock	74	19.48	0.3 D7F26243200A
w/o power	75-76	16.96	0.3 D5Z26943200A
w/power	75-78	62.07	0.5 D6L26543200A
mounting bracket		D 4.06	D4Z26943268A
cylinder & keys			
to 2/76	74-76	11.73	0.3 D4Z26943505B
from 2/76	76-78	11.73	0.3 D6Z26943505A
black		D 7.95	0.3 D7Z26943505A
striker plate			
to 8/76	74-76	D 5.45	0.2 D4Z26943252B
from	76-78	7.22	0.2 D7Z26943252A
2 Hinge (p.2)	RT D 17.85 #	0.8	D4Z26042700A
	LT D 17.85 #	0.8	D4Z26042701A
3 Torsion bar	RT D 7.05		D7Z26044890A
	LT D 7.05		D7Z26044891A
Weather strip		30.88	0.6 D4Z26943720A

With lid removed.
 † For other colors, call dealer.

LIFT GATE



5C76

REFINISHING NOTES

Deduct for overlap when necessary. See GUIDE to ESTIMATING pages
 Add for underside 0.6
 tail gate 1.3

PARTS & LABOR

Assembly, R&I			0.5
1 Gate (p.2.5)	D273.28	3.0	D7Z26940110B
Name plate			
Mustang, II	D 16.86	0.2	D4Z26942528A
2 Spoiler, Cobra	217.20	0.5	D7Z26944210A
Glass, w/o heated			
Ford			
clear	332.33 #	1.5	D4Z26942006A
tinted	367.08 #	1.5	D4Z26942006B
Nags			
clear	267.70 #	1.5	B5O24C
tinted	295.70 #	1.5	B5O24T
Ford			
w/heated			
to 6/76	74-76	106.22 #	1.7 E1BZ9430C
from 6/76	76-78	810.25 #	1.7 D7Z26942006A
Nags			
to 6/76	74-76	D329.75 #	1.7 B5O23T
from 6/76	76-78	810.25 #	1.7 B5537T
Reveal moulding			
lower			
w/o black	D 9.07	0.2	D4Z26942405A
w/black	D 7.10	0.2	D6Z26942404A
upper			
w/o black	D 17.90	0.3	D4Z26942430A
w/black	D 15.35	0.3	D6Z26942430A
side			
w/o black	D 17.90	0.3	D4Z26942430A
w/black	D 15.35	0.3	D6Z26942430A
3 Lift cylinder			
to 9/17/76	74-76	46.28	D4Z269406A10B
from 9/08/76	76-78	46.28	D7Z269406A10A
w/louwer	D 43.87		D7Z269406A10B
4 bracket	4.77		D4Z269427A48A
5 Hinge (p.2)	D 13.75	0.6	D4Z26942700A
6 Lock			
to 8/12/74	74	19.48	0.3 D7F26243200A
from 8/13/74	74-78	16.96	0.3 D5Z26943200A
mounting bracket	D 15.60		D4Z26943235A
cylinder & keys			
w/o black	D 16.38	0.3	D6Z26943507A
w/black	D 17.05	0.3	D7Z26943507A
w/anti theft alarm	D 22.10	0.3	D4Z26943507E
7 striker plate	7.22		D7Z26943252A
8 Weatherstrip	30.88	0.8	D4Z26943720A

Add for installation materials. Check price locally.

REAR BODY & LAMPS

REAR BODY

Panel, rear (p.1.5)	D113.82 #	4.5	D6Z26940320A
letters			
F	3.02	0.2	D3AZ16606E
O	3.02	0.2	D3AZ16606F
R	3.02	0.2	D3AZ16606G
D	3.02	0.2	D3AZ16606H
stripes, see end of chapter			
Floor pan, rear	74	D205.70	D4F26211215A
	75-78	D472.08	D8F26211215A

TAIL LAMP

Assembly	RT D 96.23	0.5	D4ZZ13404A
	LT D 96.23	0.5	D4ZZ13405A
seal to body	RT D 4.95		D4ZZ13A495A
	LT D 4.95		D4ZZ13A495B
Lens	RT 51.58		D4ZZ13450A
	LT 51.58		D4ZZ13450B
gasket	D 7.60		D4ZZ13461B
Door			
bright	RT D 42.97		D4ZZ13489A
	LT D 42.97		D4ZZ13489B
gold & black	RT D 34.62		D7ZZ13489A
	LT D 34.62		D7ZZ13489B
black (Cobra)	RT D 30.68		D6ZZ13489A
	LT D 30.68		D6ZZ13489B
Bulb			
tail	.77		C8T213466A

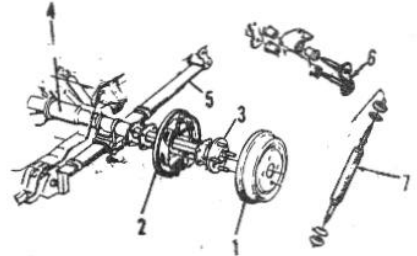
back-up	1.61		C3D213466A
LICENSE LAMP			
Assembly	13.57	0.3	D4ZZ13550A
Lens	3.95		C4AZ13564A
gasket	1.09		D4ZZ13568A
Bulb	74-76	.80	C2AZ13466C
	77-78	1.07	C7SZ13466B

After bumper is removed. With one quarter removed 3.3 with both quarters removed 2.3. For models with strips, add 0.5.

FUEL SYSTEM

Gasoline tank			
main tank	74-76	97.20	1.0 D5F29002B
	77-78	97.20	1.0 D7F29002A
auxiliary	75	68.60	1.2 D5Z29002A
	76-77	69.35	1.2 D7Z29104C
Filler pipe			
w/o auxiliary tank	74	D 19.91	0.5 D4Z29034A
	75-76	26.60	0.5 D5Z29034A
	77-78	31.68	0.5 D8Z29034E
w/auxiliary tank	75-76	D 14.62	0.5 D5Z29034D
to 6/27/77	77	D 15.80	0.5 D8Z29034D
from 6/28/77	77-78	D 24.53	D8Z29034B
pipe, to main tank		D 10.65	D5Z29041B
cap, non-lock	74	7.48	D1FZ9030C
	75	9.60	D5O29030A
	76-78	9.60	D8O29030A
locking	74-75	13.95	D5F29030C
	76-78	17.91	D8T29030C
Vapor separator	74	D 6.66	D4AZ9B328A
	75-78	D 2.91	D5Z29B328A
Cannister, fuel vapor			
4 cylinder	74-75	D 45.19	1.2 D4F29D653A
6 cylinder	74	D 45.19	1.2 D4F29D653A
	75	D 39.20	1.2 D5Z29D653A
	76	D 43.85	1.2 D6F29D653B
to 6/27/77	77	41.50	1.2 D7VYD653A
from 6/28/77	77-78	39.83	1.2 E5T29D653A
California		D 52.75	1.2 D7AZ9D653A

REAR SUSPENSION



1 Brake drum			
w/o flared		D 81.33	0.4 D4F21126B
w/flared		D 88.25	0.4 D4F21126A
2 support plate	RT	D 66.40	1.0 D7D22211A
	LT	D 66.40	1.0 D7D22212A
hose			
to 2/3/75	74-75	D 27.55	0.6 D4F22282A
from 2/4/75	75-76	D 21.45	0.6 D6F22282A
to 7/12/76	76-78	22.19	0.6 D7F22282A
3 Axle shaft			
6-3/4" gear	RT	D 220.73	0.8 D6FZ4234A
	LT	D 220.73	0.8 D6FZ4234B
8" gear	RT	232.87	0.8 D6FZ4234C
	LT	255.68	0.8 D6FZ4234D
4 Axle housing			
ring gear			
6-3/4"	74	D197.25	4.5 D4Z24010C
	75-78	D688.95	4.5 D7FZ4010A
8"	74	D163.90	4.5 D4Z24010D
	75-78	D552.15	4.5 D5FZ4010C
Axle bearing		45.13	D8DZ1225B
retainer, outer		2.28	D4FZ4020A
inner		7.43	D5ZZ1180A
oil seal, 1-1/2"		4.53	D9BZ1177A
1-3/8"		7.95	D4FZ1177B
5 Spring, order by description			1.0

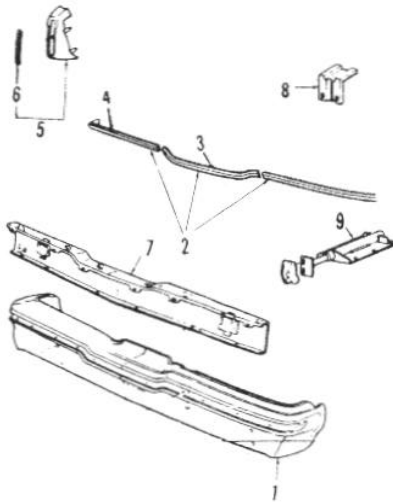
CONTINUED

Information in the "GUIDE TO ESTIMATING" pages must be used with the text below to prepare a complete estimate.

REAR SUSPENSION (CONT)

shackle package				
front	D 14.25		D4ZZ5630B	
rear	16.83		D6DZ5630A	
Stabilizer bar	74	D 16.75	0.6	D4ZZ5A772A
	75-78	D 37.71	0.6	D5Z25A772B
7 Shock absorber, Std				
4 cylinder	74	D 25.63	0.4	D4FZ18125E
6 cylinder	74	D 25.63	0.4	D4FZ18125E
	75-76	15.76	0.4	D6ZZ18125A
	77-78	33.61	0.4	E7PZ18125G

REAR BUMPER



Assembly, R&I			0.6	
Overhaul			1.6	
1 Face bar	(p1.5)	D479.55 #	1.6	D6ZZ17906A
2 moulding		49.22		D4ZZ17C772B
3 center				
w/o black		32.25		D7ZZ17C829B
w/black		D 10.92		D7ZZ17C830A
4 side				
w/o black		32.25		D7ZZ17C829B
w/black		RT D 10.53		D7ZZ17K831A
		LT D 10.53		D7ZZ17K832A
5 Guard		74-75	35.68 †	0.3 D4ZZ17984C
w/pad		76-78	D 43.25 †	0.3 D6ZZ17984A
6 moulding				
steel		74-75	D 7.88	D4ZZ17D839A
plastic		76-78	D 7.88	D4ZZ17D839B
pad		76-77	5.37	D6ZZ17A807A
7 Reinforcement		D101.53		D6ZZ17A914A
8 support bracket		D 1.45		D4ZZ17A896A
9 Isolator (absorber)		D 79.07 §	0.3	D7ZZ17787A

Time is for overhaul.
 § After bumper is removed.
 † Add for painting with Elastomeric paint
 ‡ For other colors, call dealer.

STRIPE TAPE

FOR PARTS INDICATED BY A COLOR, CALL DEALER FOR OTHER COLORS.

1974				
Rear body, upper	D 5.85	0.5	D4ZZ69423B70A	
lower, black	D 8.60	0.5	D4ZZ6920000A	
1975				
Side, complete kit				
black	D 31.65 #		D5Z26020000B	
Rear body, complete				
black	D 8.60	0.5	D4ZZ6920000A	
Trunk lid, lower				
3-door	D 5.85	0.5	D4ZZ69423B70A	
1976, 2-DOOR				
Side, complete				
upper, brown	D 40.15 #		D5Z26020000D	

lower, 25 ft roll				
blue	D 20.30 §			D6OZ9720000F

1976, 3-DOOR

Door, quarter & trunk				
upper, blue/black	D 25.55 †			D6ZZ6920000B
Rear body, complete				
black	D 8.60	0.5		D4ZZ6920000A
Trunk & quarter extension				
to 5/3/	76	D 3.90 ‡		D6ZZ6920000T
from 5/3/	76	D 4.75 ‡		D6ZZ69423B70B
Trunk upper & quarter rear				
to 5/3/	76	D 5.85 ‡		D4ZZ69423B70A
from 5/3/	76	D 6.25 ‡		D6ZZ69423B70A

1976 COBRA

Trunk upper & lower & spoiler				
white	D 79.15 >			D6ZZ6920000DW
roof, white	D 84.00	1.0		D6ZZ6920000CW
Hood & scoop	D119.10 @			D6ZZ16B906B
Lower fender, door & quarter				
right, white	D 35.57 #			D6ZZ6920000BW
left, white	D 33.55 #			D6ZZ6920001BW

1977 EXCEPT COBRA

Complete car, upper line				
to 1/15/				
red	D 43.80 #			D6ZZ6020000B
Complete car, lower line				
red	D 24.20 <			D6OZ9720000G
Rear body, complete				
black	D 8.60	0.5		D4ZZ6920000A

1977 COBRA

Hood & scoop, black	D 7.60 @			D7ZZ16B906E
white	D 7.60 @			D7ZZ16B906F
Air fairs, bumper, cowl & roof				
Grille hood & trunk				
blue	D114.15 *			D7ZZ6920000AB
Fender, door & quarter, lower				
blue	D 42.25 *			D7ZZ6920000BB

1978 EXCEPT COBRA

Complete car, gold	177.50			D7ZZ6920000CY
Trunk & quarter extn	D 6.25			D6ZZ69423B70A
Rear body complete				
black	D 8.60	0.5		D4ZZ6920000A

1978 COBRA

Complete car				
blue	233.47			D6ZZ6920000EB
Transfer name				
used on white car				
blue & blue	D 7.40			D7ZZ69425288B
used on black car				
gold	D 7.40			D7ZZ69425288C

Fender 0.6, door 0.6, quarter 0.8.
 § Fender 0.2, door 0.6, quarter front 0.3, quarter rear 0.3.
 † Fender 0.5, door 0.5, quarter 0.8, trunk 0.5.
 ‡ Trunk 0.5, quarter extension 0.3.
 > Trunk upper 0.3, lower 0.5, spoiler 0.5.
 @ Hood 1.3, scoop 0.5.
 < Fender, front or rear 0.2, door 0.5, quarter front 0.2, rear 0.4.
 * Air fairs 0.4, cowl 0.5, roof 1.0, hood 1.3, scoop 0.5, trunk upper 0.3, lower 0.5.
 ° Door 2.7, fender 0.4, quarter 0.4.
 DE2JCT

NOTES

Refinish times are for new undamaged OEM parts without molding, trim or attached parts. Refinish times do not include grinding, filling, smoothing welded seams and blending into adjacent panels.